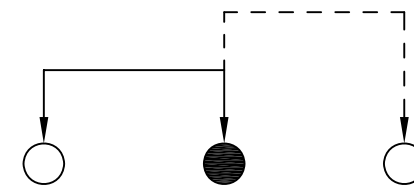
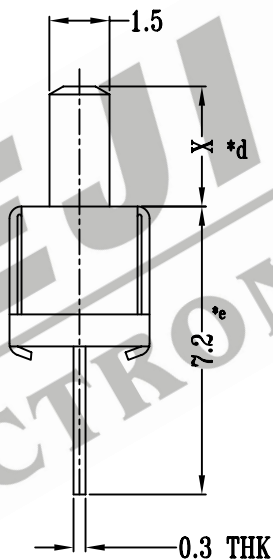
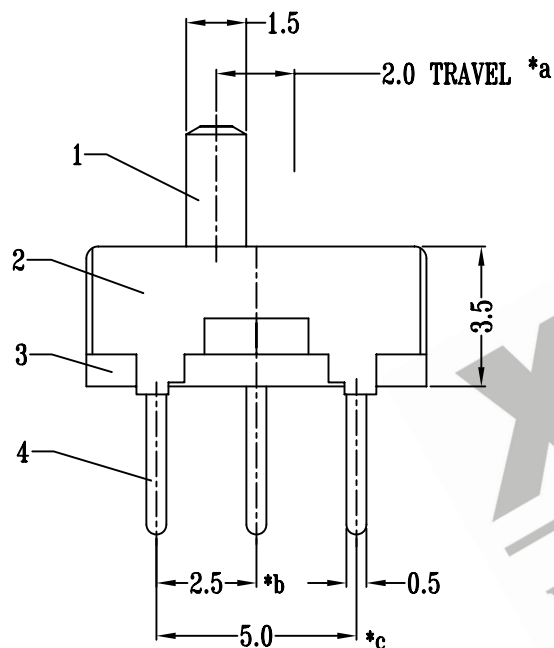
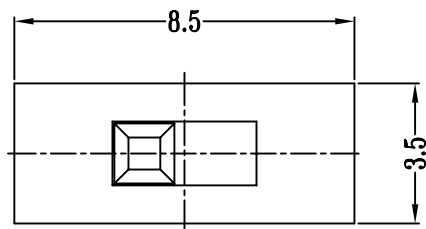
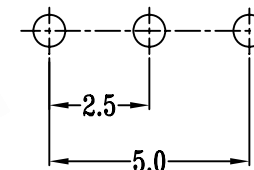




CAD FILE:



SCHEMATIC (NON-SHORTING)



P.C.B. LAYOUT

注:带"*"表示关键尺寸(5个)

8					TOLERANCE UNLESS SPECIFIED	SHENZHEN XIEJIA ELECTRONICS CO.,LTD.				
7										
6					WITHIN : 1.5±0.1mm OVER : 1.5±0.2mm	ISSUE	DATE	DESCRIPTIONS OF REVISION		APPD.
5	CONTACT CLIP	PBS	1	Ag CLAD						
4	TERMINAL	BRASS STRIP	3	Ag PLATED OVER Ni PLATED	TITLE : VERTICAL SLIDE SWITCH	UNIT : mm	DRWG NO.: XJ-DR-SS12D01-00			
3	BASE	PHENOLIC RESIN	1	NATURAL						
2	FRAME	STEEL STRIP	1	Ni PLATED	MODEL: SS-12D01	SCALE: 5:1	DWN.	ZHOUYU	2004-11-17	
1	KNOB	POM	1	BLACK			CHK'D	FANGYING	2004-11-17	
NO.	PARTS	MATERIALS	Q'TY	FINISH	ALL MATERIALS MUST BE COMPLIANT TO ROHS			APPD.	KANGXINAN	2004-11-17